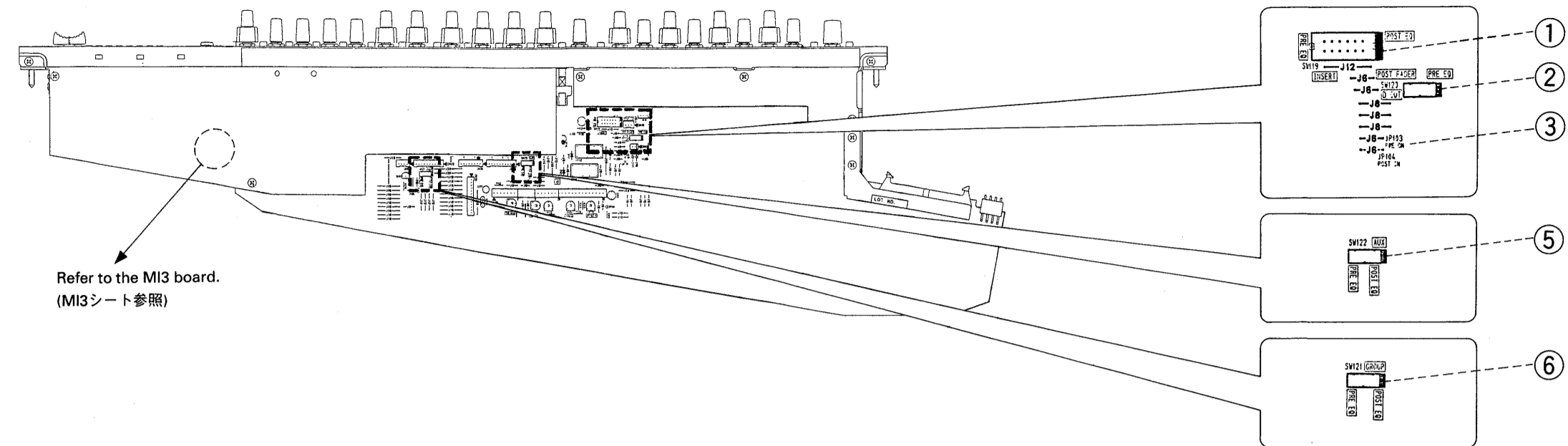


MI1, MI2, MI3 & MI4 CIRCUIT BOARDS

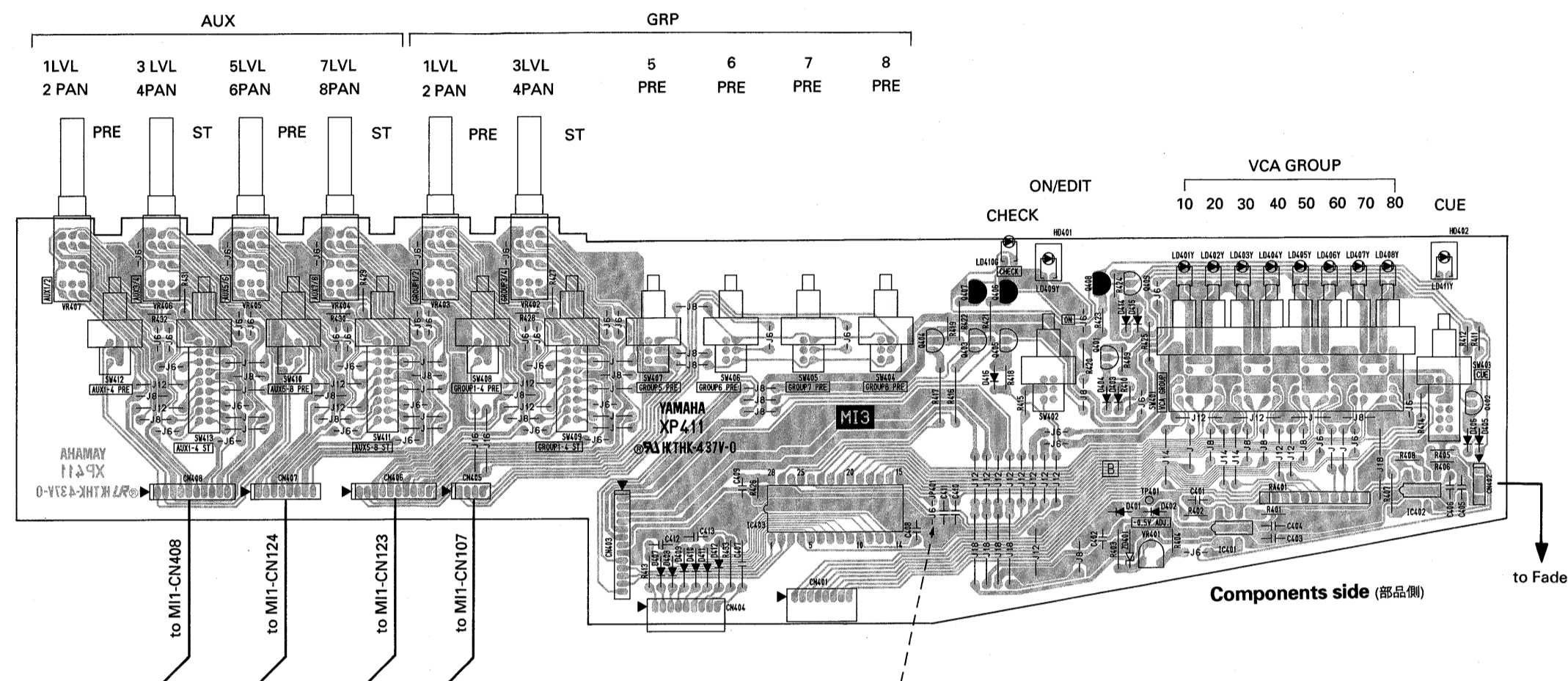
Optional Functions (オプション機能)



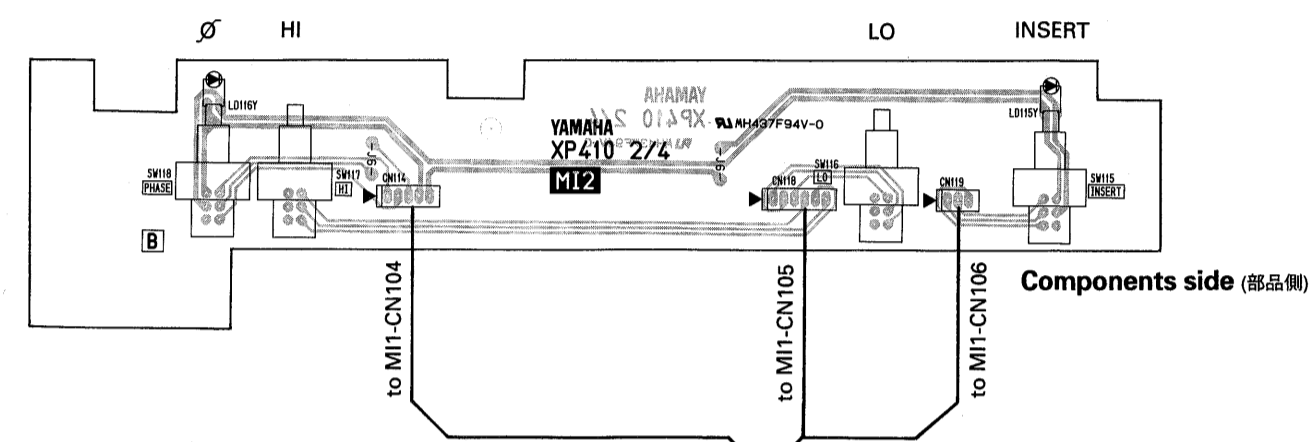
Monitor input modules can have the following settings changed by switches or jumpers mounted on the module boards.

Setting	Options	Factory setting
① Insert I/O	pre-EQ/post-EQ	post-EQ
② Direct out	Pre-EQ/post-fader	pre-EQ
③ Direct out	pre-ON/post-ON	pre-ON
④ Solo safe	solo safe-ON/OFF	solo safe-ON
⑤ Aux 1 through 8	pre-EQ/post-EQ	post-EQ
⑥ Group 1 through 8	pre-EQ/post-EQ	post-EQ

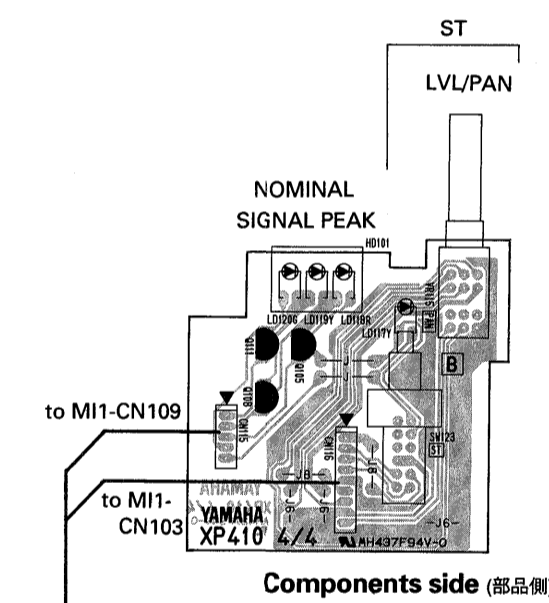
MI3 Circuit Board



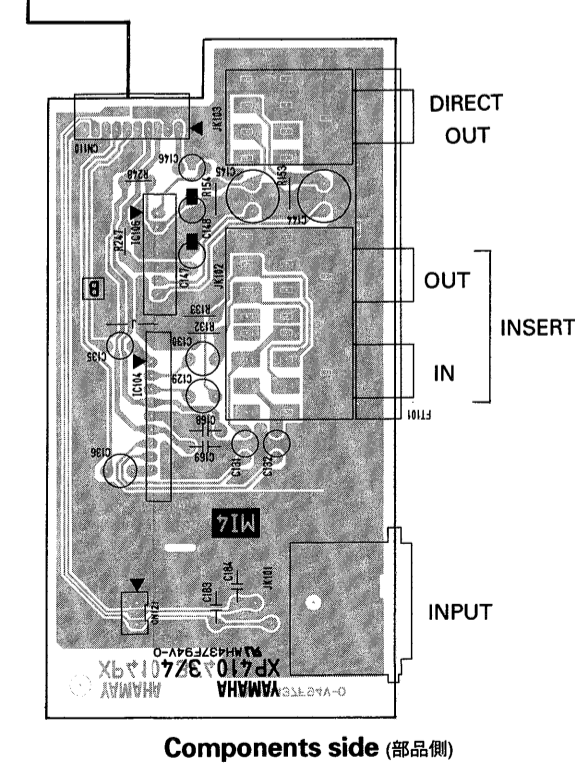
MI2 Circuit Board



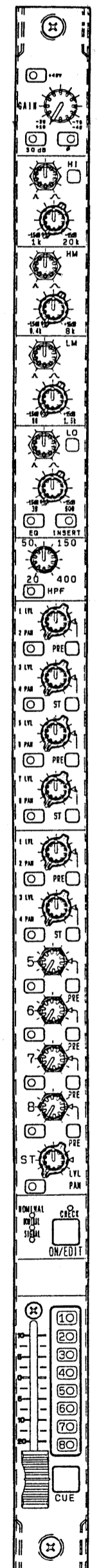
MI1 Circuit Board (4/4)



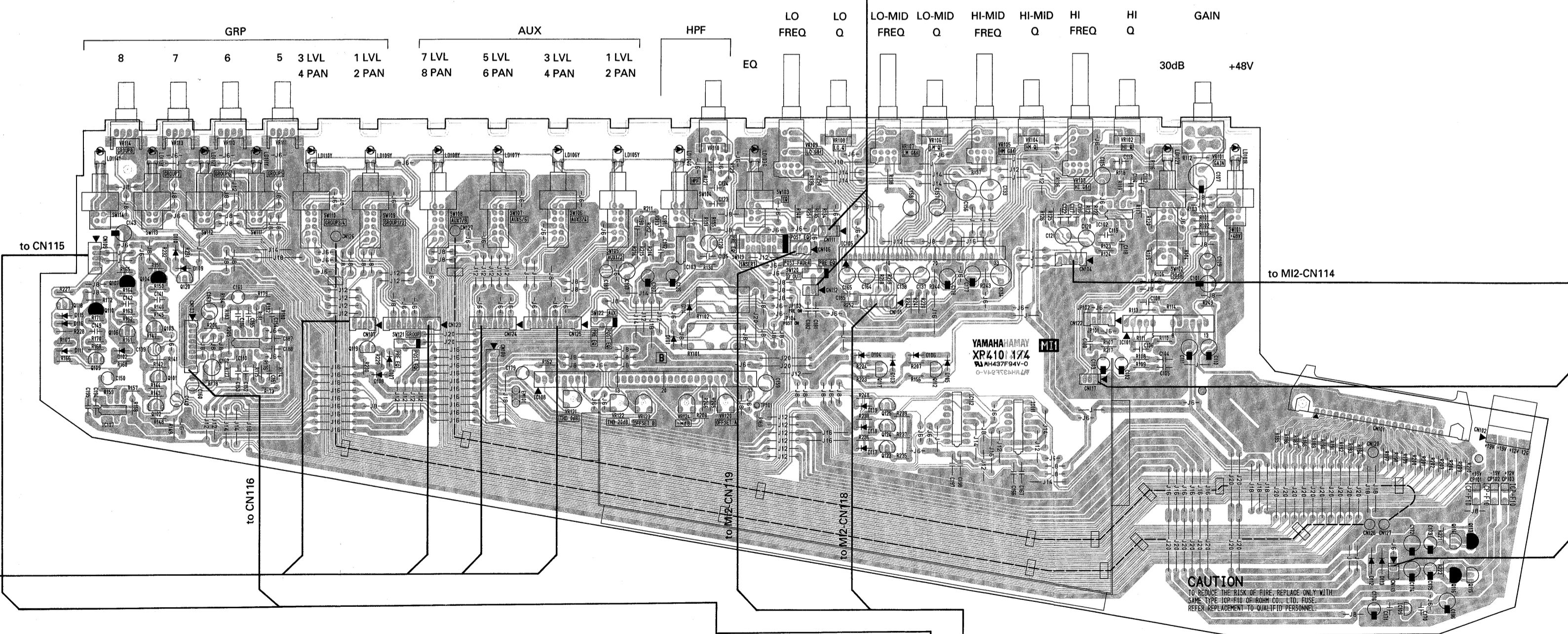
MI4 Circuit Board



MONITOR INPUT module



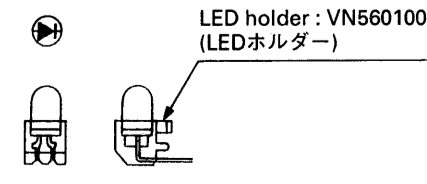
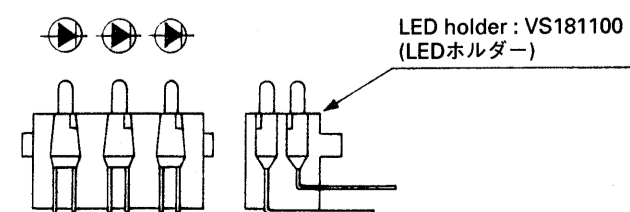
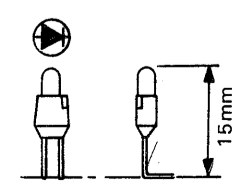
MI1 Circuit Board (1/4)



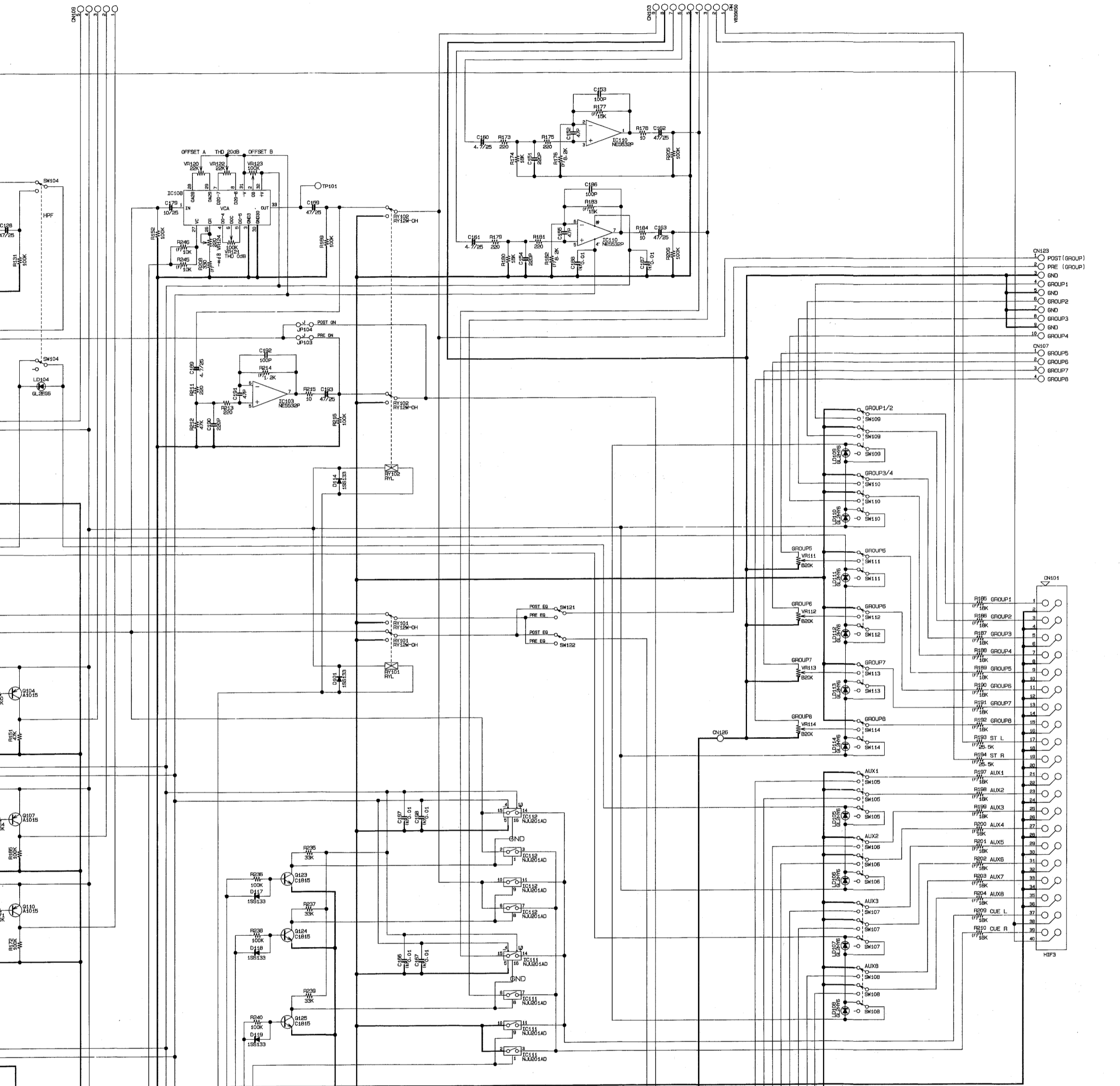
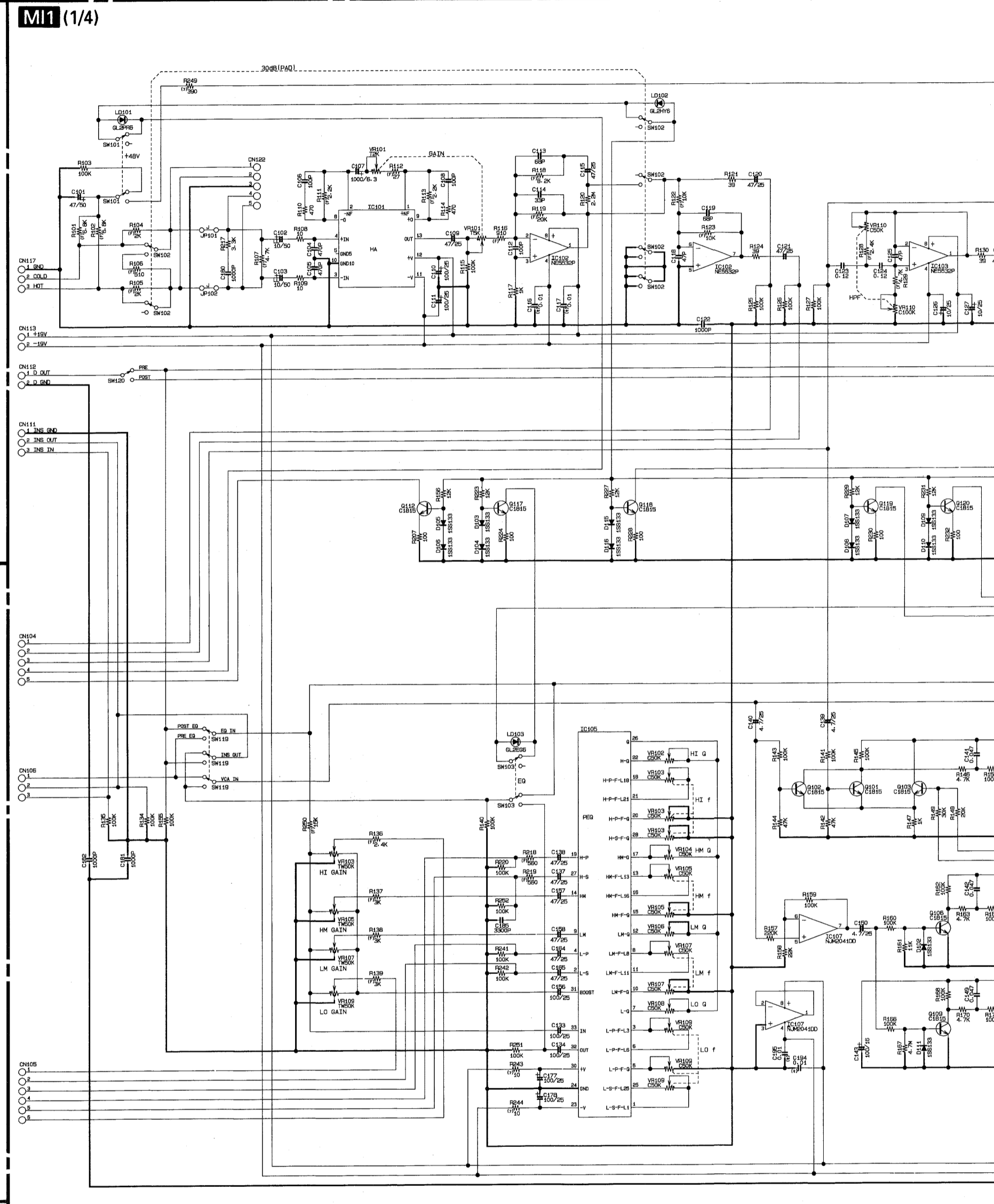
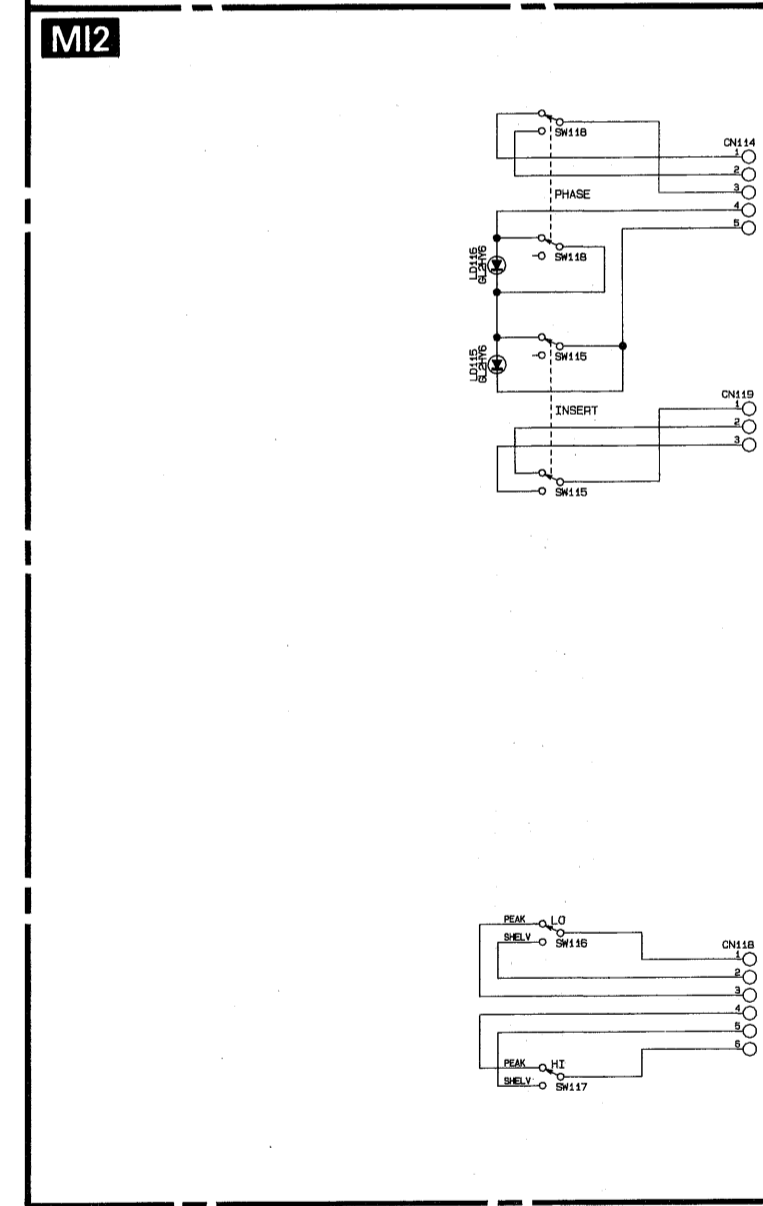
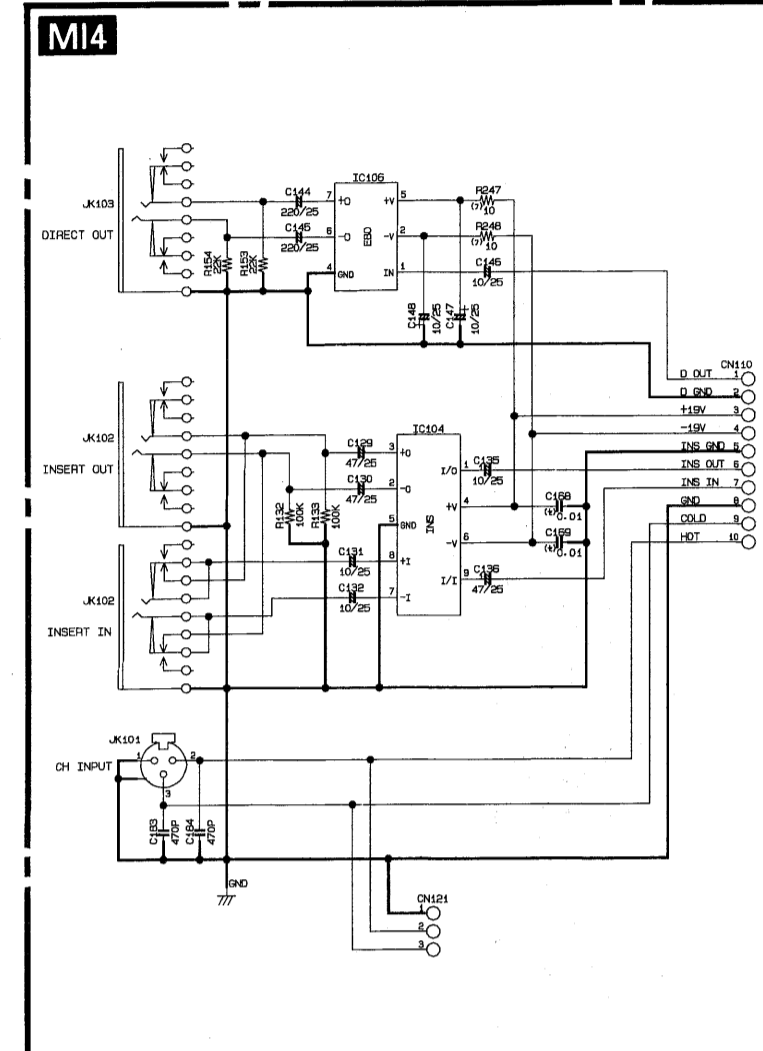
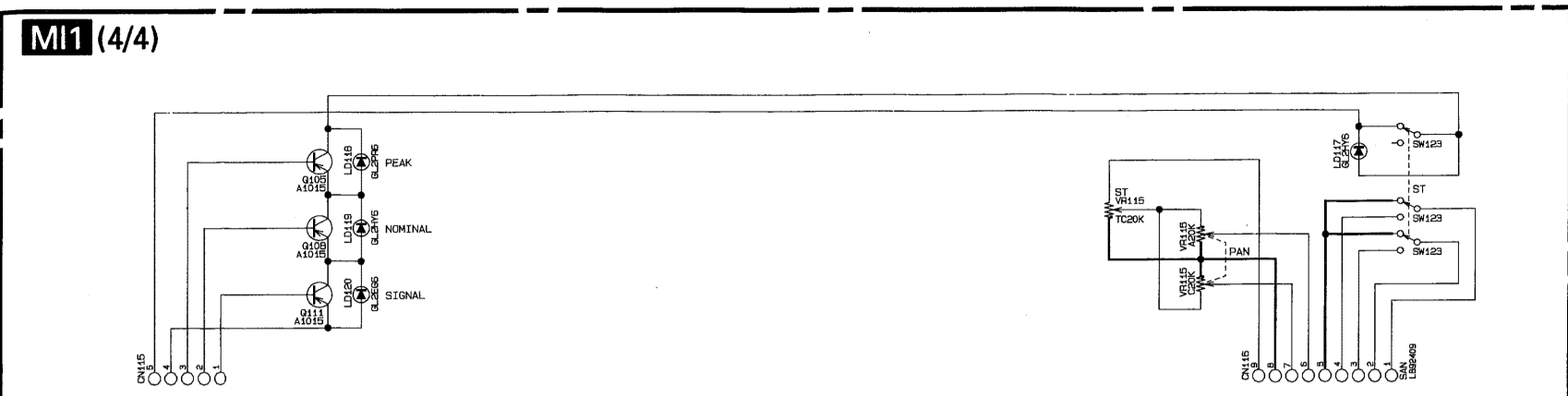
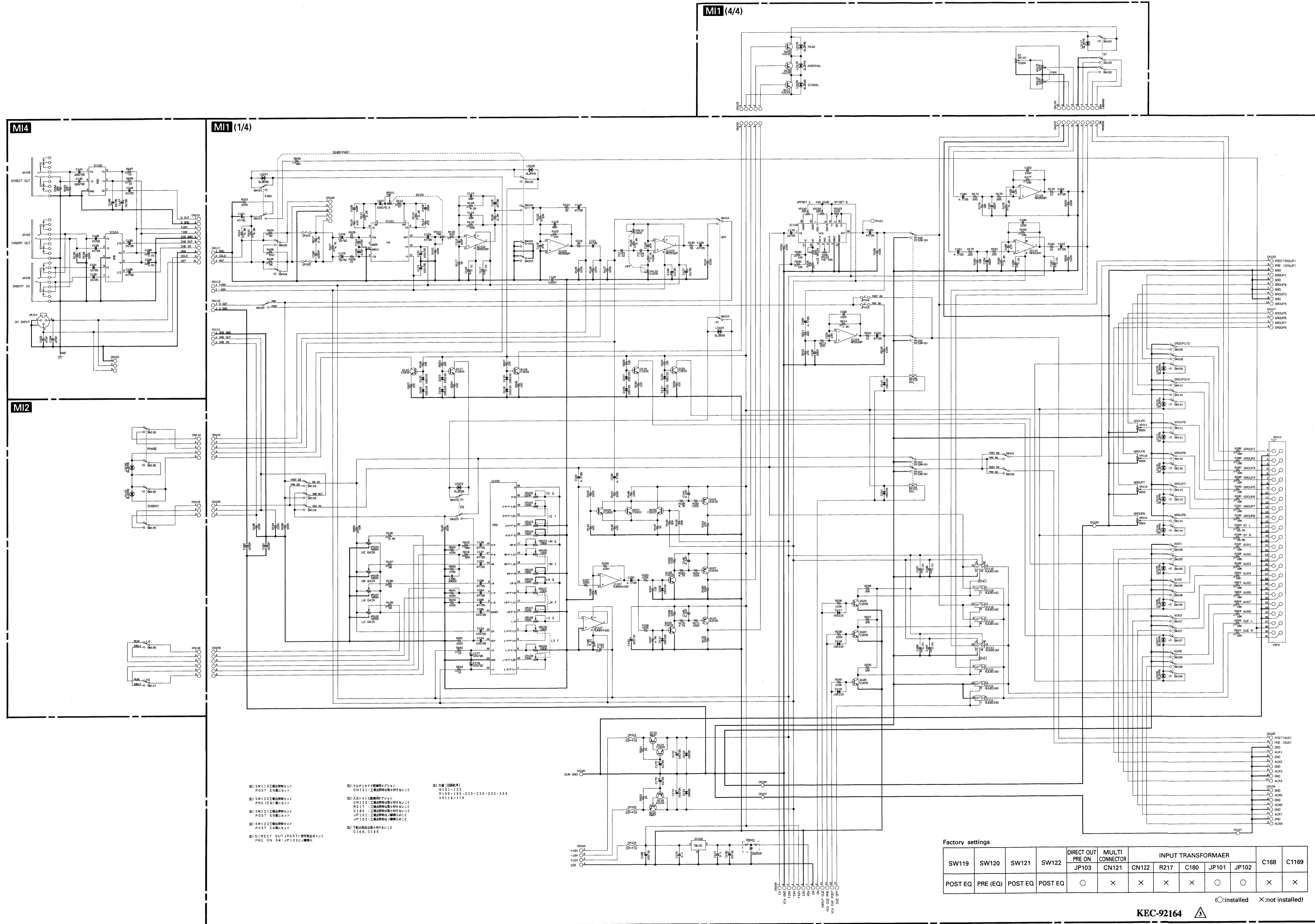
• LD101-LD117, LD401-LD408, LD410 installing (取付け)

• LD118-LD120 installing (取付け)

• LD409, LD411 installing (取付け)



MI1, MI2 & MI4 CIRCUIT DIAGRAMS



- ① SW119: 20dB増幅特性付
POST EQ用コンパネ
- ② SW120: 10dB増幅特性付
PRE (EQ) 用コンパネ
- ③ SW121: 10dB増幅特性付
POST EQ用コンパネ
- ④ SW122: 20dB増幅特性付
POST EQ用コンパネ
- ⑤ DIRECT OUT (POST) 増幅動作スイッチ
PRE ON SW: JP103に接続
- ⑥ 音量コントロール用増幅特性付コンパネ
CN121: 工場出荷時標準値付付付付付付付
- ⑦ 入力コントロール用増幅特性付コンパネ
CN122: 工場出荷時標準値付付付付付付付
- ⑧ 工場出荷時標準値付付付付付付付
JP101: 工場出荷時標準値付付付付付付付
- ⑨ 工場出荷時標準値付付付付付付付
JP102: 工場出荷時標準値付付付付付付付
- ⑩ 下段の増幅特性付付付付付付付
C168, C169
- ⑪ 本機 (回路番号)
Q101-1102
R101-1108, 220-226, 233-238
V110-119

Factory settings

SW119	SW120	SW121	SW122	DIRECT OUT PRE ON	MULTI CONNECTOR	INPUT TRANSFORMER						
JP103	CN121	CN122	R217	C180	JP101	JP102	C168	C1169				
POST EQ	PRE (EQ)	POST EQ	POST EQ	○	×	×	×	×	○	○	×	×

(○:installed ×:not installed)

KEC-92164